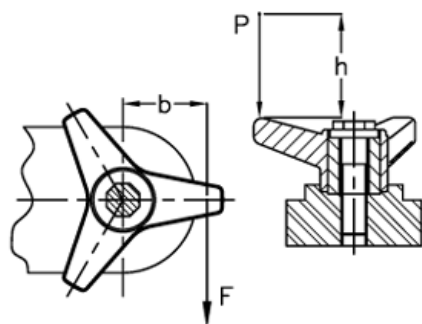
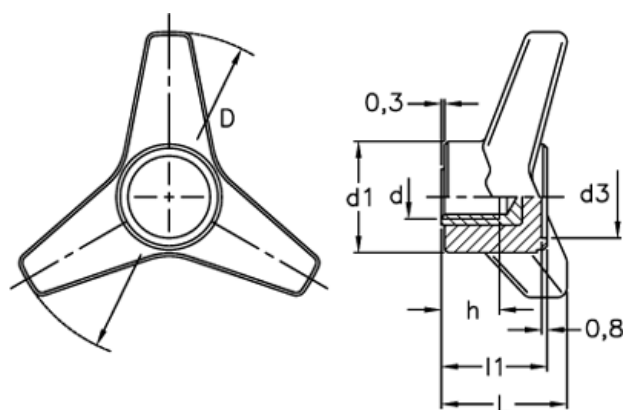


Article number: 2302065745  
 Description: E+G Three-arm knob  
 VB.639/130 B-M16

## Measures



$$C[N \cdot m] = F[N] \cdot b[m] \quad L[J] = P[N] \cdot h[m]$$

C (N m)	= 135	l1 = 40
D	= 130	
d1	= 43	
d3	= 29	
d 6H	= M16	
h	= 22	
L	= 47	
L(J)	= 9	